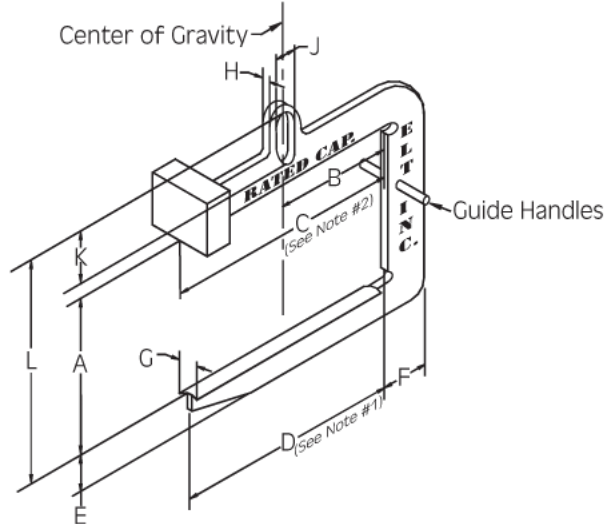


Model SCC

Slit Coil C-Hooks, High Strength Steel

- The Slit Coil C-hook has a longer lift arm allowing the lifter to lift multiple coils equaling in width to the maximum coil width.
- Integral lifting bail saves headroom and minimizes inspection normally associated with welded lifting bails.
- High strength alloy steel reduces the physical size of the lift arm allowing movement into confined areas for direct crane loading and unloading.
- All lifters are proof tested exceeding ANSI/ASME B30.20 standards. A test certificate is issued and provided with each lifter. Lifters are painted safety yellow and clearly marked on both sides with rated capacity to conform to OSHA standards.



Pounds	Inches											Pounds	Model Number		
Capacity (See Note #4)	Coil Width		Vertical Clear. (A)	Dist. to Center of Gravity (B)	Upper Arm Length (C)	Lift Arm Length (D)	Lift Arm Depth (E)	Vertical Post Depth (F)	Lift Arm Width (G)	Bail Size (See Note #3)				Total Height (L)	Approx. Lifter Weight
	Max.	Min.								(H)	(J)	(K)			
10000	36	24	16	18	36	36	5-5/8	7-3/4	4	1-1/2 x 4 x 10			34-5/8	405	SCC-10-36-24-16
			24										42-5/8	472	SCC-10-36-24-24
	48	30	16	24	48	48	6-3/8	8-5/8					35-3/8	531	SCC-10-48-30-16
			24										43-3/8	603	SCC-10-48-30-24
	60	36	16	30	60	60	7-1/8	9-1/4					36-1/8	670	SCC-10-60-36-16
			24										44-1/8	746	SCC-10-60-36-24
20000	36	24	24	18	36	36	7-1/4	9-7/8	4	1-3/4 x 4 x 10			44-3/4	743	SCC-20-36-24-24
			30										50-3/4	821	SCC-20-36-24-30
	48	30	24	24	48	48	8-1/4	10-7/8					45-3/4	938	SCC-20-48-30-24
			30										51-3/4	1020	SCC-20-48-30-30
	60	36	16	30	60	60	9-1/8	11-7/8					38-5/8	1043	SCC-20-60-36-16
			24										46-5/8	1158	SCC-20-60-36-24
72	42	16	36	72	72	9-7/8	12-3/4	39-3/8	1266	SCC-20-72-42-16					
24								47-3/8	1389	SCC-20-72-42-24					
30000	48	30	24	24	48	48	9-3/8	12-3/8	4	2 x 6 x 14			51-3/8	1253	SCC-30-48-30-24
			30										57-3/8	1361	SCC-30-48-30-30
	60	36	24	30	60	60	10-3/8	13-1/2					52-3/8	1542	SCC-30-60-36-24
			30										58-3/8	1680	SCC-30-60-36-30
	72	42	24	36	72	72	11-1/4	14-1/2					53-1/4	1845	SCC-30-72-42-24
			30										59-1/4	1974	SCC-30-72-42-30
40000	48	30	30	24	48	48	10-1/8	13-1/2	4	2-1/4 x 6 x 14			58-5/8	1722	SCC-40-48-30-30
			36										64-5/8	1857	SCC-40-48-30-36
	60	36	24	30	60	60	11-1/4	14-5/8					53-3/4	1938	SCC-40-60-36-24
			30										59-3/4	2110	SCC-40-60-36-30
	72	42	24	36	72	72	12-1/4	15-3/4					54-3/4	2348	SCC-40-72-42-24
			30										60-3/4	2518	SCC-40-72-42-30
50000	48	30	30	24	48	48	10-3/4	14-1/4	4	2-1/2 x 6 x 18			63-3/4	2103	SCC-50-48-30-30
			36										69-3/4	2270	SCC-50-48-30-36
	60	36	28	30	60	60	11-7/8	15-1/2					62-7/8	2472	SCC-50-60-36-28
			34										68-7/8	2640	SCC-50-60-36-34
	72	42	24	36	72	72	13	16-5/8					60	2816	SCC-50-72-42-24
			32										68	3058	SCC-50-72-42-32
60000	60	36	28	30	60	60	13	17	4	2-1/2 x 6 x 18			64	2766	SCC-60-60-36-28
			34										70	2957	SCC-60-60-36-34
	72	42	28	36	72	72	14-1/8	18-1/4					65-1/8	3265	SCC-60-72-42-28
			34										71-1/8	3463	SCC-60-72-42-34
80000	72	42	38	36	72	72	14-7/8	19-1/4	5	3 x 6 x 18			76-7/8	4683	SCC-80-72-42-38
			44										82-7/8	4945	SCC-80-72-42-44
100000	84	46	38	42	84	84	15-1/2	19-3/4	5	4 x 6 x 18			79-1/2	6892	SCC-100-84-46-38
			44										85-1/2	7331	SCC-100-84-46-44

- Notes:**
1. Lifting arm length allows multiple coil widths to be handled, at one time, but not to exceed the maximum coil width
 2. All coils must be centered under the lifting bail.
 3. Please verify that the lifting bail size will suit crane hook.
 4. Other capacities, lengths, and parking stands available upon request.

PLEASE NOTE: WEIGHT AND DIMENSIONS CAN VARY AND ARE APPROXIMATE AND REFERENCE ONLY. SPECIFIC WEIGHT CAN NOT BE DETERMINED UNTIL THE UNIT IS FABRICATED.

ph: 888.358.5438 fx: 716.667.6837
e: info@eltlift.com WWW.ELTLIFT.COM