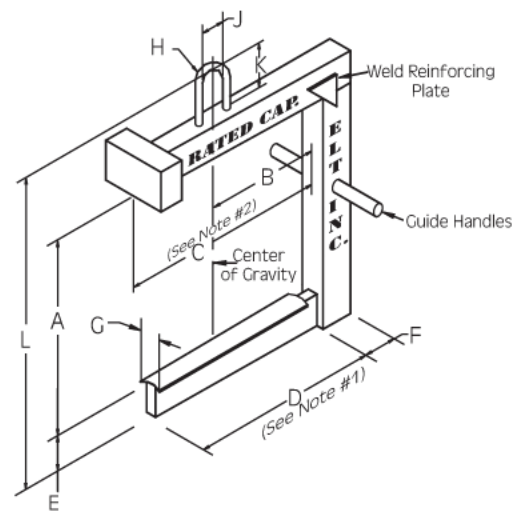


Model TCF

Tubular Close Stacking C-Hooks with Flame Cut Lift Arm

- The Tubular Close Stacking C-hook has a shorter upper arm for handling various coil widths flush against a vertical surface and a flame cut, high strength alloy steel lift arm allowing for direct loading and unloading.
- External weld reinforcing plates strengthen both the weld and tube at critical stress areas.
- All lifters are proof tested exceeding ANSI/ASME B30.20 standards. A test certificate is issued and provided with each lifter. Lifters are painted safety yellow and clearly marked on both sides with rated capacity to conform to OSHA standards.



Pounds Capacity (See Note #4)	Inches										Ball Size (See Note #3)	Total Height (L)	Approx. Lifter Weight	Model Number		
	Coil Width		Vertical Clear. (A)	Dist. to Center of Gravity (B)	Upper Arm Length (C)	Lift Arm Length (D)	Lift Arm Depth (E)	Vertical Post Depth (F)	Lift Arm Width (G)	H					J	K
	Max.	Min.														
1000	12	8	12	6	10	10	2-3/8	3	3	3/4 x 2 x 4	21-5/8	78	TCF-1-12-8-12			
	24	16	12	12	20	20	2-7/8	3	3				22-1/8	86	TCF-1-24-16-12	
	36	22	12	18	29	29	3-3/8	3	3				22-5/8	111	TCF-1-36-22-12	
	48	30	12	24	39	39	3-7/8	3	3				23-1/8	129	TCF-1-48-30-12	
2000	24	16	16	12	20	20	3-3/8	4	4	3/4 x 2 x 4	27-5/8	157	TCF-2-24-16-16			
	36	22	16	18	29	29	3-7/8	4	4				28-1/8	190	TCF-2-36-22-16	
	48	30	16	24	39	39	4-3/8	4	4				28-5/8	213	TCF-2-48-30-16	
4000	24	16	20	12	20	20	4-3/8	6	4	1 x 2 x 4	34-5/8	300	TCF-4-24-16-20			
	36	22	20	18	29	29	4-3/4	6	4				35	362	TCF-4-36-22-20	
	48	30	20	24	39	39	5-3/8	6	4				35-5/8	390	TCF-4-48-30-20	
6000	36	22	24	18	29	29	5-5/8	8	4	(3/4 x 1) x 2 x 6	41-7/8	486	TCF-6-36-22-24			
	48	30	24	24	39	39	5-5/8	8	4				43-7/8	579	TCF-6-48-30-24	
8000	36	22	26	18	29	29	4-1/2	8	4	(1 x 1-1/4) x 3 x 6	44-3/4	604	TCF-8-36-22-26			
	48	30	26	24	39	39	5-1/4	8	4				45-1/2	749	TCF-8-48-30-26	
	60	36	26	30	48	48	5-3/4	8	4				46	811	TCF-8-60-36-26	
10000	36	22	26	18	29	29	5-1/8	8	4	(1-1/4 x 1-1/2) x 4 x 10	49-3/8	752	TCF-10-36-22-26			
	48	30	26	24	39	39	5-3/4	10	4				50	889	TCF-10-48-30-26	
	60	36	26	30	48	48	6-3/8	10	4				52-5/8	1061	TCF-10-60-36-26	
15000	36	22	28	18	29	29	5-3/4	10	4	(1-1/2 x 1-1/2) x 4 x 10	52	896	TCF-15-36-22-28			
	48	30	28	24	39	39	6-1/2	10	4				54-3/4	1034	TCF-15-48-30-28	
	60	36	28	30	48	48	7-1/4	10	4				55-1/2	1588	TCF-15-60-36-28	
20000	36	22	30	18	29	29	6-1/2	10	4	(1-1/2 x 1-3/4) x 4 x 10	56-3/4	1107	TCF-20-36-22-30			
	48	30	30	24	39	39	7-1/2	10	4				57-3/4	1505	TCF-20-48-30-30	
	60	36	30	30	48	48	8-3/8	14	4				58-5/8	1898	TCF-20-60-36-30	

- Notes:
- Lifting arm length allows minimum coil width to be handled without protrusion of lift arm past edge of coil.
 - All coils must be centered under the lifting bail.
 - Please verify that the lifting bail size will suit crane hook.
 - Other capacities, lengths, and parking stands available upon request.

PLEASE NOTE: WEIGHT AND DIMENSIONS CAN VARY AND ARE APPROXIMATE AND REFERENCE ONLY. SPECIFIC WEIGHT CAN NOT BE DETERMINED UNTIL THE UNIT IS FABRICATED.

ph: 888.358.5438 fx: 716.667.6837
e: info@eltlift.com WWW.ELTLIFT.COM