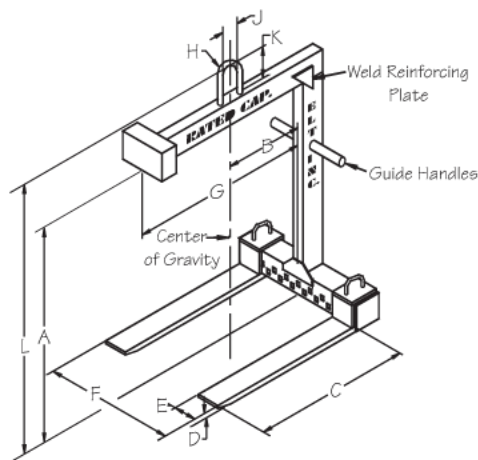


Model ACF

Adjustable Crane Fork



- The Adjustable Crane Fork converts an overhead crane into a low cost fork lift truck that can handle various widths and is counterbalanced to hang level for easy insertion under the load.
- External weld reinforcing plates strengthen both the weld and tube at critical stress areas.
- Each lifter is proof tested exceeding ANSI/ASME B30.20 standards. A test certificate is issued and provided with each lifter. Lifter are painted safety yellow with the rated capacity clearly marked on both sides to conform to OSHA Standards.

Pounds	Inches											Pounds	Model Number		
Capacity (See Note #4)	Max. Load Length	Vertical Clear. (A)	Dist. to Center of Gravity (B)	Fork Length (C)	Fork Size		Outside Width (F)		Upper Arm Length (G)	Bail Size (See Note #3)				Total Height (L)	Approx. Lifter Weight
					(D)	(E)	Min.	Max.		(H)	(J)	(K)			
1000	30	48	15	30	1 x 4	14	36	30	3/4 x 2 x 4	55	218	ACF-1-30-48			
	36		18	36	1-1/4 x 4	14	36	36			274	ACF-1-36-48			
	42		21	42	1-1/4 x 4	14	36	42			294	ACF-1-42-48			
	48		24	48	1-1/4 x 4	15	36	48			319	ACF-1-48-48			
2000	30	48	15	30	1-1/2 x 4	15	36	30	3/4 x 2 x 4	56	317	ACF-2-30-48			
	36		18	36	1-1/2 x 4	15	36	36			350	ACF-2-36-48			
	42		21	42	1-3/4 x 4	15	36	42			419	ACF-2-42-48			
	48		24	48	1-3/4 x 4	15	36	48			493	ACF-2-48-48			
3000	36	48	18	36	1-1/4 x 4	15	38	36	1 x 2 x 4	58	419	ACF-3-36-48			
	42		21	42	1-1/2 x 4	15	38	42			471	ACF-3-42-48			
	48		24	48	1-1/2 x 4	15	38	48			498	ACF-3-48-48			
4000	36	48	18	36	1-1/2 x 4	15	38	36	1 x 2 x 4	58	475	ACF-4-36-48			
	42		21	42	1-1/2 x 4	17	38	42			536	ACF-4-42-48			
	48		24	48	1-3/4 x 4	17	38	48			596	ACF-4-48-48			
6000	36	48	18	36	1-3/4 x 4	17	38	36	(3/4 x 1) x 2 x 6	62-1/4	629	ACF-6-36-48			
	42		21	42	2 x 4	17	38	42			720	ACF-6-42-48			
	48		24	48	2 x 4	17	38	48			756	ACF-6-48-48			
	60	60	30	60	2 x 5	20	42	60			74-1/4	1057	ACF-6-60-60		
8000	42	48	21	42	2 x 5	20	42	42	(1 x 1-1/4) x 3 x 6	62-1/4	871	ACF-8-42-48			
	48		24	48	2-1/4 x 5	20	42	48			64-1/4	967	ACF-8-48-48		
	60	60	30	60	2-1/4 x 5	20	48	60			74-1/4	1228	ACF-8-60-60		
	72	72	36	72	2-1/2 x 5	21	48	72			88-1/4	1589	ACF-8-72-72		
10000	48	72	24	48	2-1/4 x 5	20	42	48	(1-1/4 x 1-1/2) x 4 x 10	70-1/4	1080	ACF-10-48-48			
	60		60	30	60	2-1/2 x 6	22	48			60	80-1/4	1473	ACF-10-60-60	
	72		72	36	72	2-3/4 x 5	26	48			72	92-1/4	1945	ACF-10-72-72	
15000	48	72	24	48	2-3/4 x 6	24	48	48	(1-1/2 x 1-1/2) x 4 x 10	70-1/4	1339	ACF-15-48-48			
	60		60	30	60	2-3/4 x 6-1/2	26	48			60	82-1/4	1907	ACF-15-60-60	
	72		72	36	72	3 x 7	28	54			72	94-1/4	2416	ACF-15-72-72	
20000	48	72	24	48	3 x 6	26	48	48	(1-1/2 x 1-3/4) x 4 x 10	70-1/4	1751	ACF-20-48-48			
	60		60	30	60	3 x 8	30	48			60	82-1/4	2680	ACF-20-60-60	
	72		72	36	72	3 x 9	33	54			72	96-1/4	3178	ACF-20-72-72	
30000	72	72	36	72	3-3/4 x 9	33	54	72	(2 x 2-1/4) x 6 x 14	100-1/4	4092	ACF-30-72-72			
40000	72	72	36	72	4 x 10	36	54	72	(2 x 2-3/4) x 6 x 14	100-1/4	4843	ACF-40-72-72			
50000	72	72	36	72	4 x 12	45	60	72	(2-1/2 x 2-3/4) x 6 x 18	104-1/4	6378	ACF-50-72-72			

- Notes:**
1. Fork length is equal to the maximum load length.
 2. All loads must be centered under the lifting bail.
 3. Please verify that the lifting bail size will suit crane hook.
 4. Other capacities and load lengths available upon request.

ph: 888.358.5438 fx: 716.667.6837
 e: info@eltlift.com WWW.ELTLIFT.COM

PLEASE NOTE: WEIGHT AND DIMENSIONS CAN VARY AND ARE APPROXIMATE AND REFERENCE ONLY.
 SPECIFIC WEIGHT CAN NOT BE DETERMINED UNTIL THE UNIT IS FABRICATED.