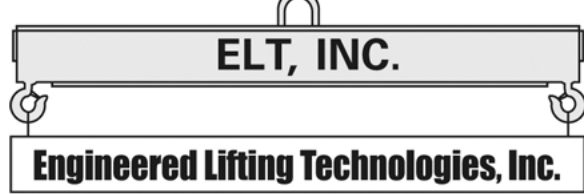
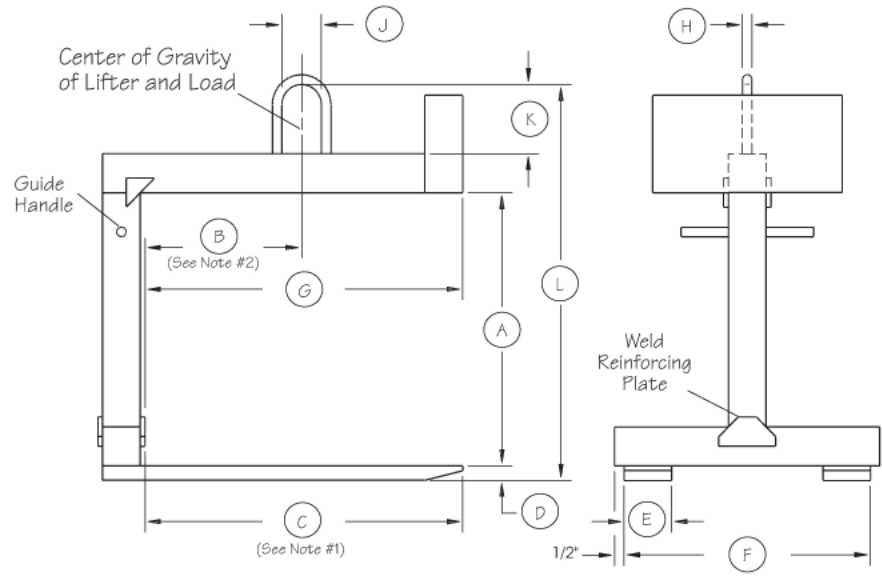


Quotation Needed By: _____
 Date: _____ Contact: _____
 Company Name: _____
 Address: _____
 City: _____ State: _____ Zip: _____
 Phone: _____ Fax: _____
 Email: _____



PHONE: 888.358.5438 • FAX: 716.667.6837
 EMAIL: INFO@ELTLIFT.COM
 WWW.ELTLIFT.COM

CUSTOM CRANE FORKS



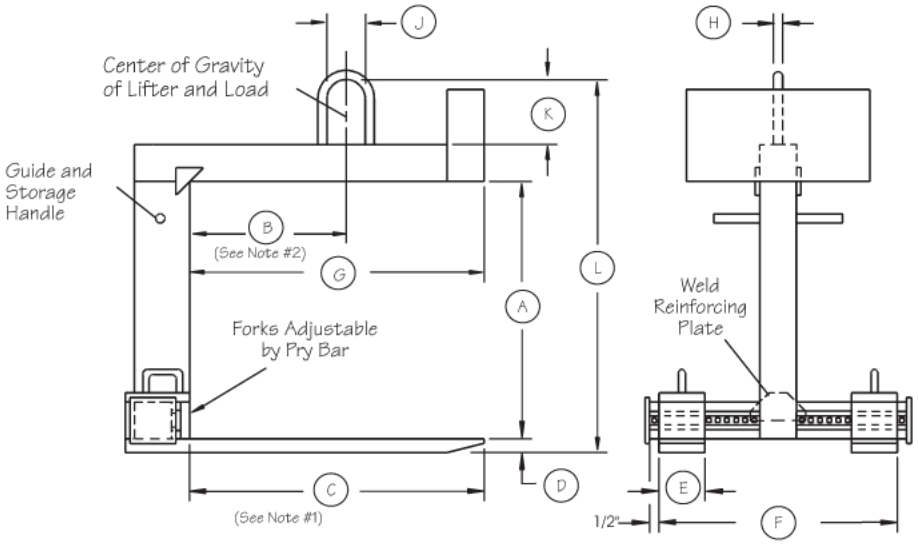
- MODEL FCF
- MODEL ACF

CAPACITY _____ LBS.

- (A) _____ VERTICAL CLEARANCE
- (B) _____ 1/2 OF MAX. PALLET LGTH.
- (C) _____ FORK LENGTH
- (D) _____ FORK THICKNESS
- * (E) _____ FORK WIDTH
- * (F) _____ OUTSIDE WIDTH
- (G) _____ UPPER ARM LENGTH
- * (H) _____ BAIL THICKNESS
- (J) _____ BAIL WIDTH
- * (K) _____ BAIL HEIGHT
- * (L) _____ TOTAL HEIGHT

MODEL FCF FIXED CRANE FORK

Converts an overhead crane into a low-cost fork lift truck.



* OPTIONAL DATA

- Notes:**
1. Fork length is equal to the maximum pallet load length.
 2. All loads must be centered under the lifting bail.
 3. Please verify that the lifting bail size will suit crane hook.

Additional Information: *(Load dimensions & properties)*

MODEL ACF ADJUSTABLE CRANE FORK

Adjustable forks allows handling of various size bundles.

PLEASE NOTE: WEIGHT AND DIMENSIONS CAN VARY AND ARE APPROXIMATE AND REFERENCE ONLY.
 SPECIFIC WEIGHT CAN NOT BE DETERMINED UNTIL THE UNIT IS FABRICATED.