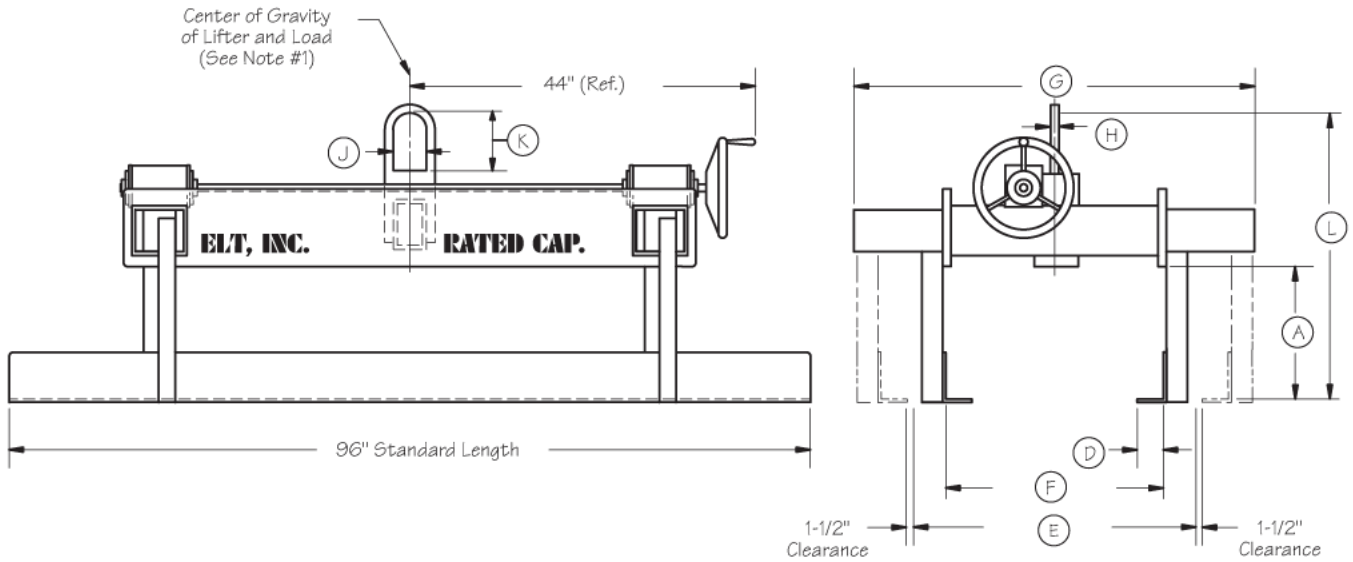


# Model TSL

## Telescoping Sheet Lifter

- ELT, Incorporated offers a versatile sheet lifter that can handle bundles of sheet metal, crates, palletized products and more with few modifications to its structure.
- Drive system consists of worm and worm gear assembly to prevent side forces from opening the legs when loaded.

- ELT, Incorporated's Telescoping Sheet Lifter has a heavy duty construction to withstand rugged conditions and provide years of service with very low maintenance.
- All lifters are proof tested exceeding ANSI/ASME B30.20 standards and a test certificate is issued. It is painted safety yellow and clearly marked on both sides with rated capacity to conform OSHA standards.



Pounds	Inches							Pounds	Model Number		
Capacity	Bundle Width		Vertical Clear. A	Bail Size (See Note #2)			Support Width D	Maximum Width in Closed Position G		Total Height L	Approx. Lifter Weight
	E Max.	F Min.		H	J	K					
6000	60	20	16	(3/4 x 1) x 2 x 6			3-1/8	62	36	1055	TSL-6-60-20-16
	72	24						70		1108	TSL-6-72-24-16
10000	60	20	16	(1-1/4 x 1-1/2) 4 x 10			3-1/8	62	40	1094	TSL-10-60-20-16
	72	24						70		1150	TSL-10-72-24-16
	96	36						82		1421	TSL-10-96-36-16
20000	60	20	16	(1-1/2 x 1-3/4) x 4 x 10			3-1/8	62	40	1254	TSL-20-60-20-16
	72	24						70		1317	TSL-20-72-24-16
	96	36						82		1960	TSL-20-96-36-16
30000	72	24	18	(2 x 2-1/4) x 6 x 14			5-1/2	62	46	2102	TSL-30-72-24-18
	96	36						82		2410	TSL-30-96-36-18
40000	72	24	18	(2 x 2-3/4) x 6 x 14			5-1/2	70	46	2372	TSL-40-72-24-18
	96	36						82		2795	TSL-40-96-36-18

- Notes:**
1. All loads must be centered under the lifting bail.
  2. Please verify that the lifting bail size will suit crane hook.
  3. Modifications and other accessories are available upon request.

ph: 888.358.5438 fx: 716.667.6837  
e: info@eltlift.com WWW.ELTLIFT.COM

PLEASE NOTE: WEIGHT AND DIMENSIONS CAN VARY AND ARE APPROXIMATE AND REFERENCE ONLY.  
SPECIFIC WEIGHT CAN NOT BE DETERMINED UNTIL THE UNIT IS FABRICATED.