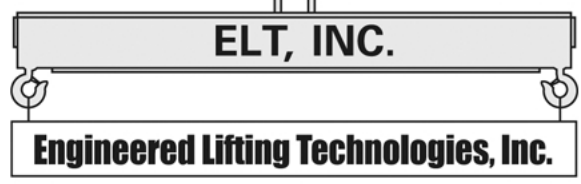


Quotation Needed By: _____
 Date: _____ Contact: _____
 Company Name: _____
 Address: _____
 City: _____ State: _____ Zip: _____
 Phone: _____ Fax: _____
 Email: _____

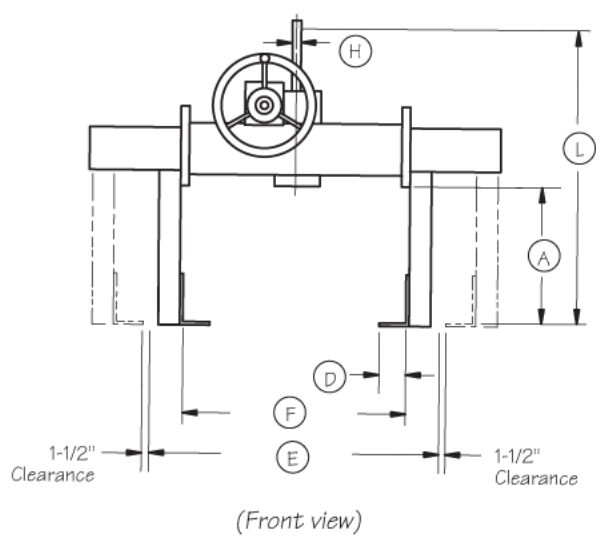
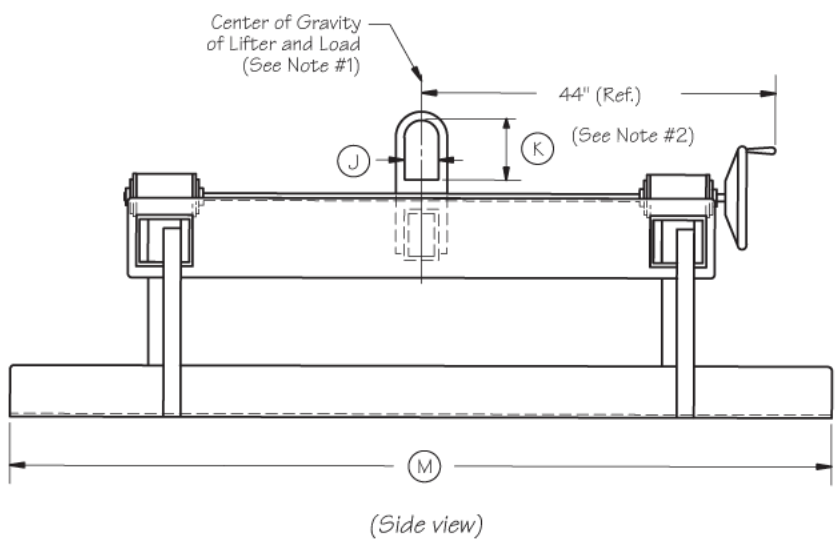


Engineered Lifting Technologies, Inc.
 PHONE: 888.358.5438 • FAX: 716.667.6837
 EMAIL: INFO@ELTLIFT.COM
 WWW.ELTLIFT.COM

CUSTOM TELESCOPING SHEET LIFTER

MODEL TSL

CAPACITY _____ LBS.



- (A) _____ VERTICAL CLEARANCE
- * (D) _____ SUPPORT LENGTH
- (E) _____ MAXIMUM BUNDLE WIDTH
- (F) _____ MINIMUM BUNDLE WIDTH
- * (H) _____ BAIL THICKNESS
- * (J) _____ BAIL WIDTH
- * (K) _____ BAIL HEIGHT
- * (L) _____ TOTAL HEIGHT
- * (M) _____ LENGTH OF CARRYING ANGLE

*** OPTIONAL DATA**

- Notes:**
1. All loads must be centered under the lifting bail.
 2. Please verify that the lifting bail size will suit crane hook.
 3. Modifications and other accessories are available upon request.

Additional Information:
 (Load dimensions & properties)

MODEL TSL
 TELESCOPING SHEET LIFTER

A versatile sheet lifter that can handle bundles of sheet metal, crates, palletized products and more with few modifications to its structure.

PLEASE NOTE: WEIGHT AND DIMENSIONS CAN VARY AND ARE APPROXIMATE AND REFERENCE ONLY. SPECIFIC WEIGHT CAN NOT BE DETERMINED UNTIL THE UNIT IS FABRICATED.