

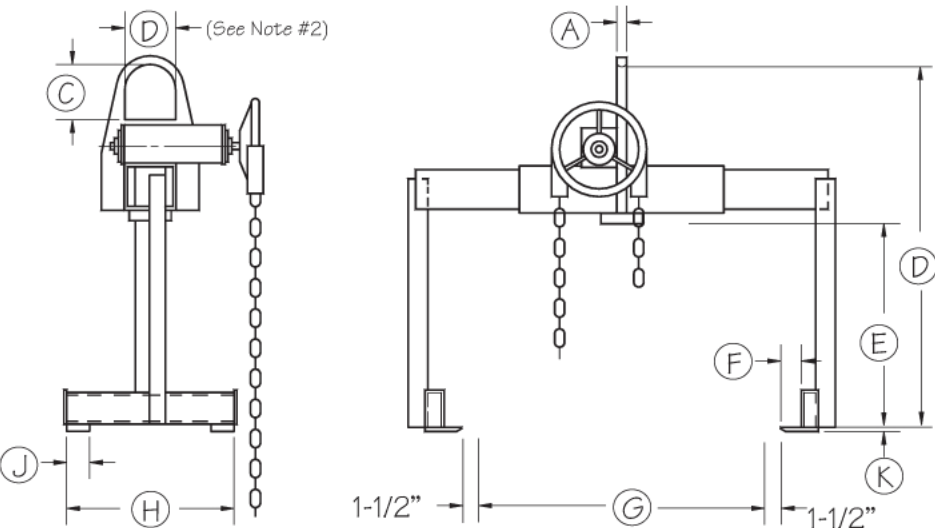
Quotation Needed By: \_\_\_\_\_  
 Date: \_\_\_\_\_ Contact: \_\_\_\_\_  
 Company Name: \_\_\_\_\_  
 Address: \_\_\_\_\_  
 City: \_\_\_\_\_ State: \_\_\_\_\_ Zip: \_\_\_\_\_  
 Phone: \_\_\_\_\_ Fax: \_\_\_\_\_  
 Email: \_\_\_\_\_



**Engineered Lifting Technologies, Inc.**

PHONE: 888.358.5438 • FAX: 716.667.6837  
 EMAIL: INFO@ELTLIFT.COM  
 WWW.ELTLIFT.COM

# CUSTOM TELESCOPING PALLET LIFTER



**MODEL TPL**

CAPACITY \_\_\_\_\_ LBS.

- \* (A) \_\_\_\_\_ LIFT LOOP THICKNESS
- \* (B) \_\_\_\_\_ BAIL WIDTH
- \* (C) \_\_\_\_\_ BAIL HEIGHT
- \* (D) \_\_\_\_\_ HEADROOM
- (E) \_\_\_\_\_ VERTICAL CLEARANCE
- \* (F) \_\_\_\_\_ FOOT LENGTH
- (G) \_\_\_\_\_ MIN. / MAX. LOAD WIDTH
- (H) \_\_\_\_\_ MIN. / MAX. PALLET WIDTH
- \* (J) \_\_\_\_\_ FOOT WIDTH
- (K) \_\_\_\_\_ FOOT THICKNESS

## MODEL TPL

TELESCOPING PALLET LIFTER

Legs telescope to accommodate various size pallets and to save aisle space.

### \* OPTIONAL DATA

- Notes:**
1. All loads must be centered under the lifting bail.
  2. Please verify that the lifting bail size will suit crane hook.
  3. Options and accessories are available upon request

### Additional Information:

*(Load dimensions & properties)*

---

---

---

---

---

---

---

---

SKETCH