

Quotation Needed By: \_\_\_\_\_  
 Date: \_\_\_\_\_ Contact: \_\_\_\_\_  
 Company Name: \_\_\_\_\_  
 Address: \_\_\_\_\_  
 City: \_\_\_\_\_ State: \_\_\_\_\_ Zip: \_\_\_\_\_  
 Phone: \_\_\_\_\_ Fax: \_\_\_\_\_  
 Email: \_\_\_\_\_

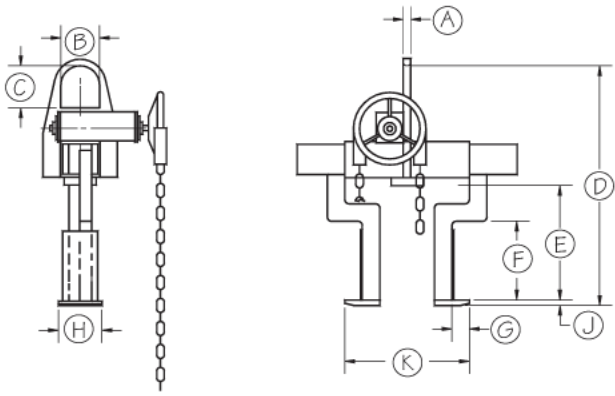
**ELT, INC.**

---

**Engineered Lifting Technologies, Inc.**

PHONE: 888.358.5438 • FAX: 716.667.6837  
 EMAIL: INFO@ELTLIFT.COM  
 WWW.ELTLIFT.COM

# TELESCOPING COIL LIFTERS



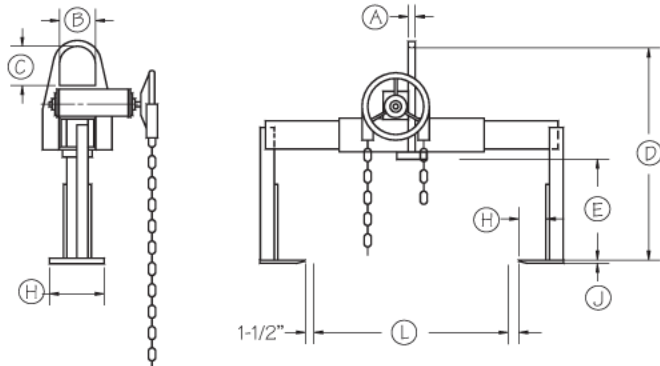
- MODEL TIL
- MODEL TOL
- MODEL TCL

CAPACITY \_\_\_\_\_ LBS.

- \* (A) \_\_\_\_\_ LIFT LOOP THICKNESS
- \* (B) \_\_\_\_\_ LIFT LOOP OPENING WIDTH
- \* (C) \_\_\_\_\_ LIFT LOOP OPENING HEIGHT
- \* (D) \_\_\_\_\_ HEADROOM
- (E) \_\_\_\_\_ VERTICAL CLEARANCE
- (F) \_\_\_\_\_ MAX. / MIN. COIL WIDTH
- \* (G) \_\_\_\_\_ FOOT LENGTH
- \* (H) \_\_\_\_\_ FOOT WIDTH
- (J) \_\_\_\_\_ FOOT THICKNESS
- \* (K) \_\_\_\_\_ MAX. / MIN. COIL I.D.
- \* (L) \_\_\_\_\_ MAX. / MIN. COIL O.D.

**MODEL TIL**  
 TELESCOPING VERTICAL I.D. LIFTER

Lifts coils in a vertical position with the legs through the I.D. of the coil.



**MODEL TOL**  
 TELESCOPING VERTICAL O.D. LIFTER

Lifts coils in a vertical position with the legs around the O.D. of the coil.

**\* OPTIONAL DATA**

**Notes:** 1. All loads must be centered under the lifting bail.  
 2. Please verify that the lifting bail size will suit crane hook.

**Additional Information:**  
*(Load dimensions & properties)*

**MODEL TCL**  
 TELESCOPING HORIZONTAL COIL LIFTER

Lifts coils in a horizontal position with the feet supporting the I.D. of the coil.

PLEASE NOTE: WEIGHT AND DIMENSIONS CAN VARY AND ARE APPROXIMATE AND REFERENCE ONLY.  
 SPECIFIC WEIGHT CAN NOT BE DETERMINED UNTIL THE UNIT IS FABRICATED.