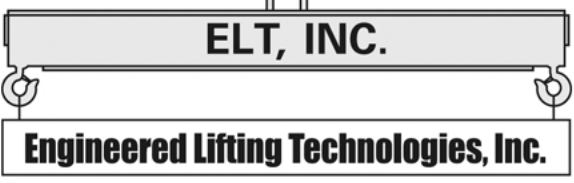
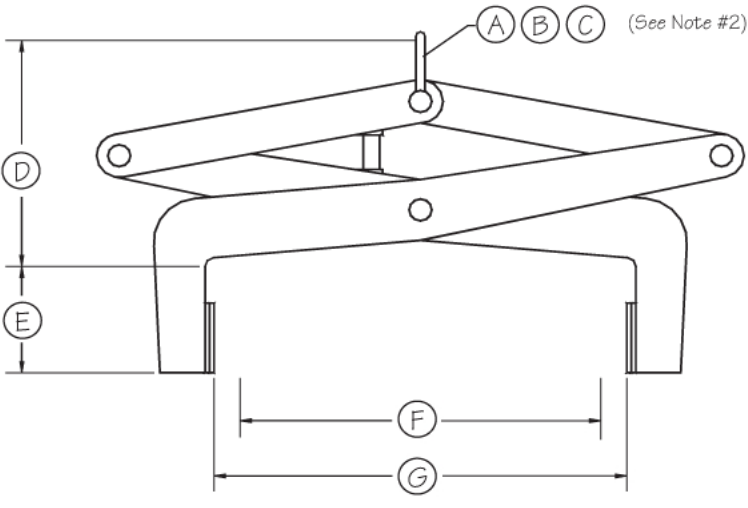


Quotation Needed By: _____
 Date: _____ Contact: _____
 Company Name: _____
 Address: _____
 City: _____ State: _____ Zip: _____
 Phone: _____ Fax: _____
 Email: _____



PHONE: 888.358.5438 • FAX: 716.667.6837
 EMAIL: INFO@ELTLIFT.COM
 WWW.ELTLIFT.COM

CUSTOM PRESSURE TONGS



- MODEL PST
- MODEL GST

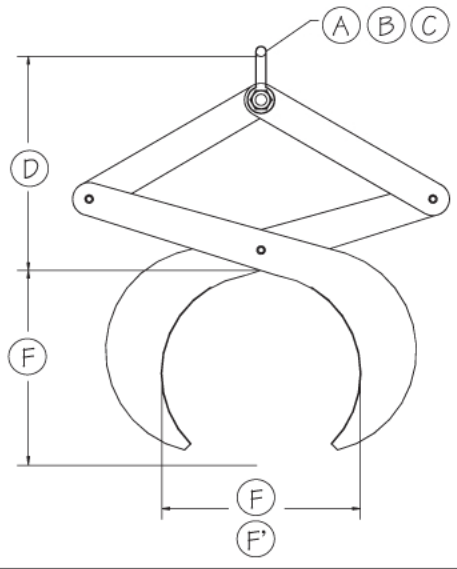
CAPACITY _____ LBS.

- * (A) _____ LIFT LOOP DIAMETER
- * (B) _____ LIFT LOOP HEIGHT
- * (C) _____ LIFT LOOP WIDTH
- * (D) _____ HEADROOM
- (E) _____ VERTICAL CLEARANCE
- (F) _____ MAXIMUM LOAD WIDTH
- * (F') _____ MINIMUM LOAD WIDTH
- (G) _____ MAXIMUM OPEN WIDTH

MODEL PST

PRESSURE STYLE TONG

Uses the weight of the load to generate clamping pressure.



MODEL GST

GRIPPER STYLE TONG

Grab arms fit the shape of the load to support it all around.

* OPTIONAL DATA

- Notes:**
- All loads must be centered under the lifting bail.
 - Please verify that the lifting bail size will suit crane hook.
 - Options and accessories are available upon request.

Additional Information:

(Load dimensions & properties)

PLEASE NOTE: WEIGHT AND DIMENSIONS CAN VARY AND ARE APPROXIMATE AND REFERENCE ONLY. SPECIFIC WEIGHT CAN NOT BE DETERMINED UNTIL THE UNIT IS FABRICATED.