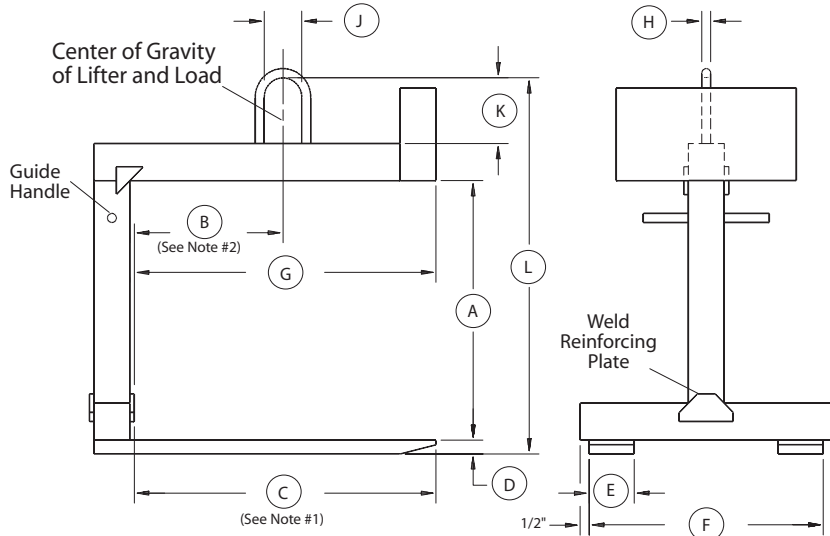


Quotation Needed By: _____
 Date: _____ Contact: _____
 Company Name: _____
 Address: _____
 City: _____ State: _____ Zip: _____
 Phone: _____ Fax: _____
 E-mail: _____

ELT Inc.
Engineered Lifting Technologies

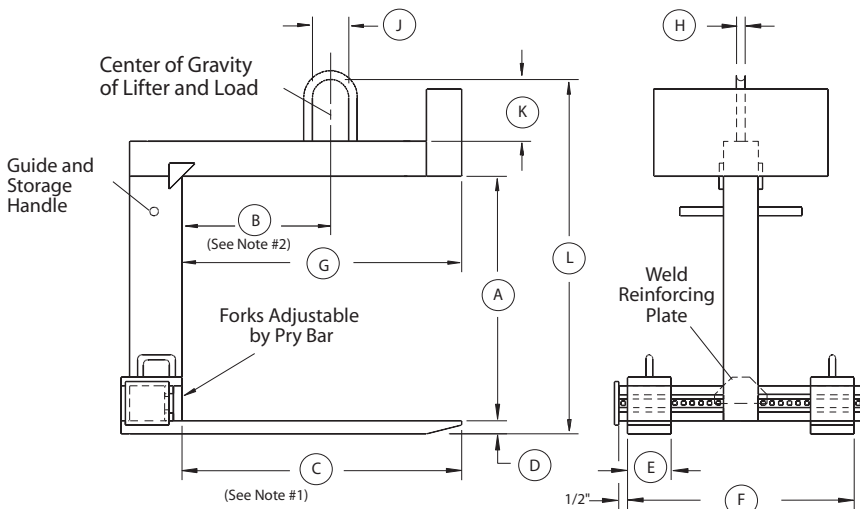
PHONE: 855.800.9568 • FAX: 716.667.6837
 EMAIL: webinfo@eltlift.com
WWW.ELTLIFT.COM

CUSTOM CRANE FORKS



Model FCF FIXED CRANE FORK

Converts an overhead crane into a low-cost fork lift truck.



Model ACF ADJUSTABLE CRANE FORK

Adjustable forks allows handling of various size bundles.

- MODEL FCF
 MODEL ACF
- CAPACITY _____ LBS.
- (A) _____ VERTICAL CLEARANCE
 - (B) _____ 1/2 OF MAX PALLET LGTH.
 - (C) _____ FORK LENGTH
 - (D) _____ FORK THICKNESS
 - * (E) _____ FORK WIDTH
 - * (F) _____ OUTSIDE WIDTH
 - (G) _____ UPPER ARM LENGTH
 - * (H) _____ BAIL THICKNESS
 - * (J) _____ BAIL WIDTH
 - * (K) _____ BAIL HEIGHT
 - * (L) _____ TOTAL HEIGHT

*** OPTIONAL DATA**

- Notes:**
1. Fork length is equal to the maximum pallet load length.
 2. All loads must be centered under the lifting bail.
 3. Please verify that the lifting bail size will suit the crane hook.

Additional Information:
(Load dimensions & properties)
