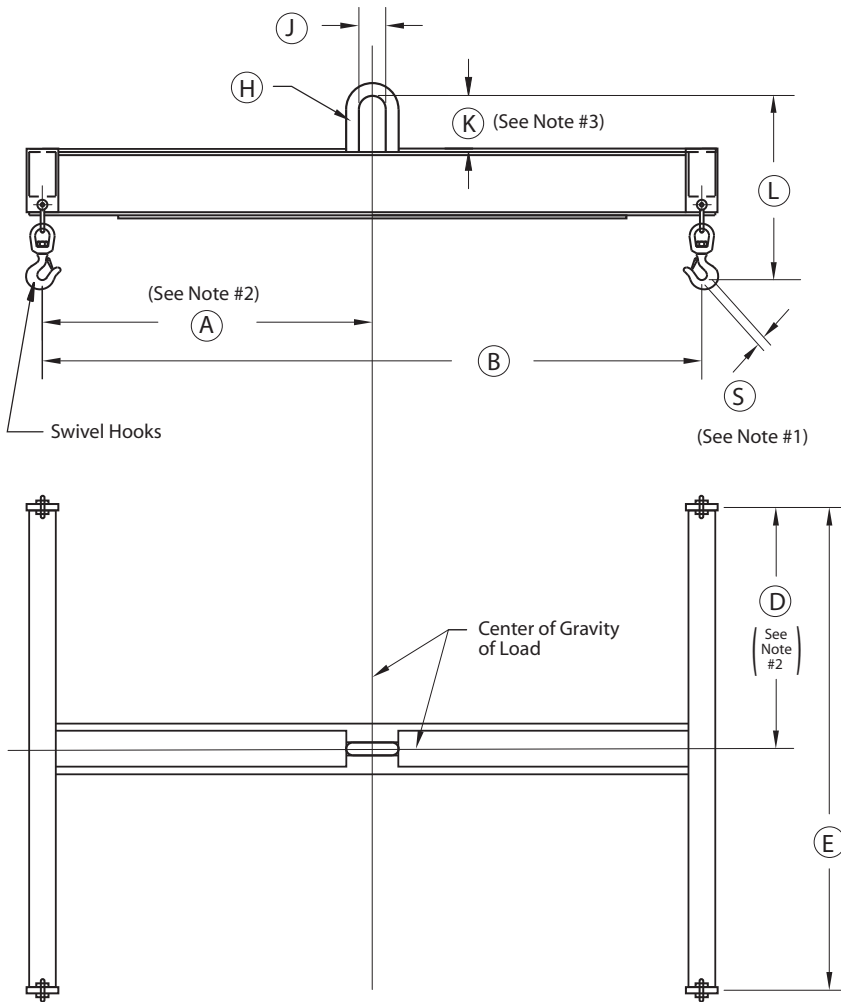


Quotation Needed By: _____
 Date: _____ Contact: _____
 Company Name: _____
 Address: _____
 City: _____ State: _____ Zip: _____
 Phone: _____ Fax: _____
 E-mail: _____

ELT Inc.
Engineered Lifting Technologies

PHONE: 855.800.9568 • FAX: 716.667.6837
 EMAIL: webinfo@eltlift.com
WWW.ELTLIFT.COM

CUSTOM FOUR POINT LIFTER



MODEL CFP

CAPACITY _____ LBS.

- (A) _____ DISTANCE TO BAIL
- (B) _____ OVERALL LENGTH
- (D) _____ DISTANCE TO BAIL
- (E) _____ OVERALL WIDTH
- * (H) _____ BAIL THICKNESS
- * (J) _____ BAIL WIDTH
- * (K) _____ BAIL HEIGHT
- * (L) _____ TOTAL HEIGHT
- * (S) _____ MAXIMUM STOCK DIA.

*** OPTIONAL DATA**

- Notes:**
1. Maximum stock diameter refers to the size of material that will fit into the swivel hook opening.
 2. All loads must be centered under the lifting bail.
 3. Please verify that the lifting bail size will suit the crane hook.

Additional Information:
(Load dimensions & properties)

Model CFP
 CUSTOM FOUR POINT

An ideal solution to handle large loads requiring multiple pick up points. Lifting bail can be designed to handle off center loads.