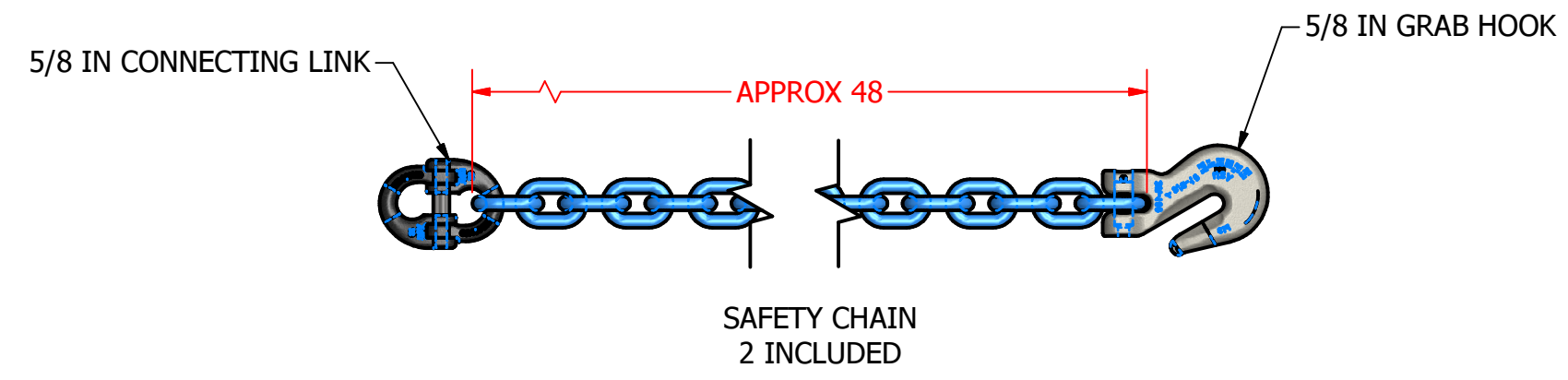
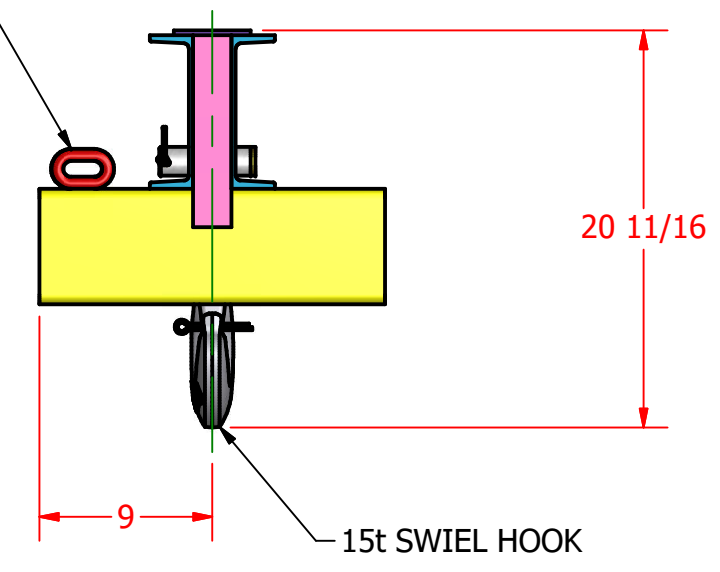


SAFETY CHAIN ATTACHMENT POINTS



Conforms To ANSI/ASME BTH-1, B30.20 and OSHA Regulations

ALL DIMENSIONS ARE IN INCHES  
UNLESS OTHERWISE SPECIFIED

 <b>Engineered Lifting Technologies</b>	3566 S. BENZING ROAD ORCHARD PARK, NY 14127 1-888-ELT-LIFT 1-888-358-5438		SCALE: NTS	APPROX WEIGHT: 285 LB
	<b>TOLERANCES</b> <small>(UNLESS OTHERWISE SPECIFIED)</small> LINEAR .X = ±.1 .XX = ±.01 .XXX = ±.005 .XXXX = ±.0005 FRACTIONS 1/16 ANGULAR ±.5°	DRAWN 4/3/15 REVISED	DATE 4/3/15	NAME AMR
DESIGN CATEGORY B SERVICE CLASS 1			DWG NO	REV.